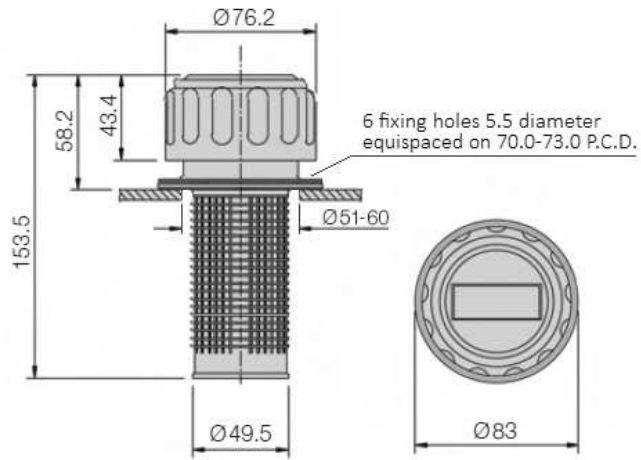
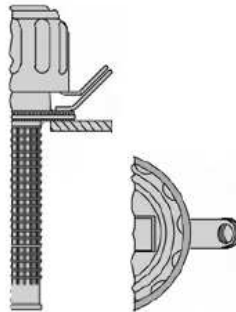


Tank hole/flange mounted

Type 1163 / 1730

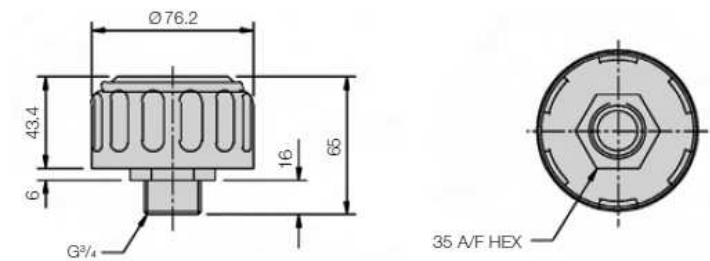


Type 5561

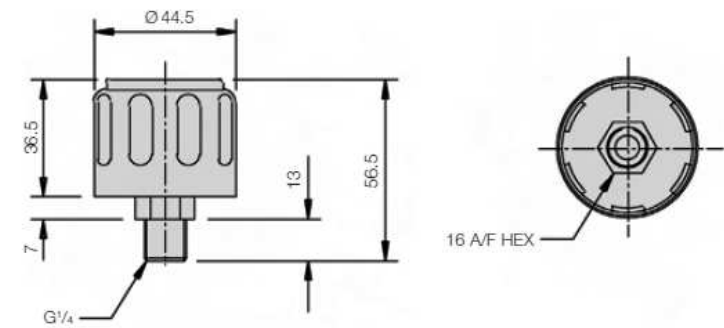


Thread mounted

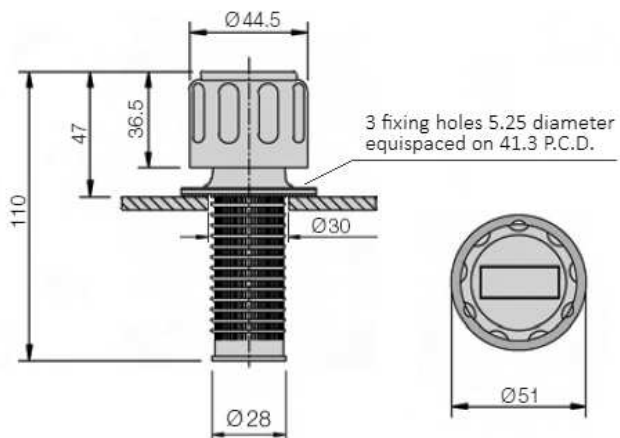
Type 1731 / 1562



Type 1563



Type 1380



Dimensions in mm

Breathers & Filler Breathers Metal
Dimensional drawing

